



Brother Laser Printer **PARTS REFERENCE LIST**

**MODEL:
HL-2140/2150N/2170W**



Read this list thoroughly before maintenance work.

Keep this list in a convenient place for quick and easy reference at all times.

NOTE FOR USING THIS PARTS REFERENCE LIST

1. In the case of ordering parts, it is necessary to mention the following items;

- (1) Code
- (2) Q'ty
- (3) Description
- (4) Symbol (PCB No. etc)

< Example >

REF.NO.	(1) CODE	(2) Q'TY	(3) DESCRIPTION	(4) SYMBOL	REMARK

Revision No.: marked on the **main printed circuit board (Main PCB)**.

B48K056

----- Circuit board No.

2. Design-changed parts :

If any of the parts is changed, one of the following symbols is indicated in the REMARK column.

CHG(chg) : The parts is changed to a new parts.

ADD(add) : The parts is newly added.

DEL(del) : The parts is deleted.

Symbol in capital letters indicates the latest parts change information in the page.

3. The original parts reference list is based on the information available in September 2007.

4. Parts are subject to change in design without prior notice.

COUNTRIES AND AREAS

AP: Asia Pacific	GER: Germany
ARG: Argentina	HOL(NL): Holland(Netherlands)
ARL: Australia	IBERIA: Spain/Portugal
BEL: Belgium	ISR: Israel
BRZ: Brazil	ITA: Italy
CAN: Canada	NZ: New Zealand
CHI: Chile	PAN-NOR: Norway/Finland/Denmark/Sweden
CHN: China	RUS: Russia
EEU: EEU GENERAL	SAF: South Africa
(Bulgaria/Czech/Hungary/Poland/Romania/Slovakia)	SGP/GULF: Singapore/Gulf
EUR: Europe	SWI: Switzerland
FRA: France	UK: U.K.
	US: U.S.A

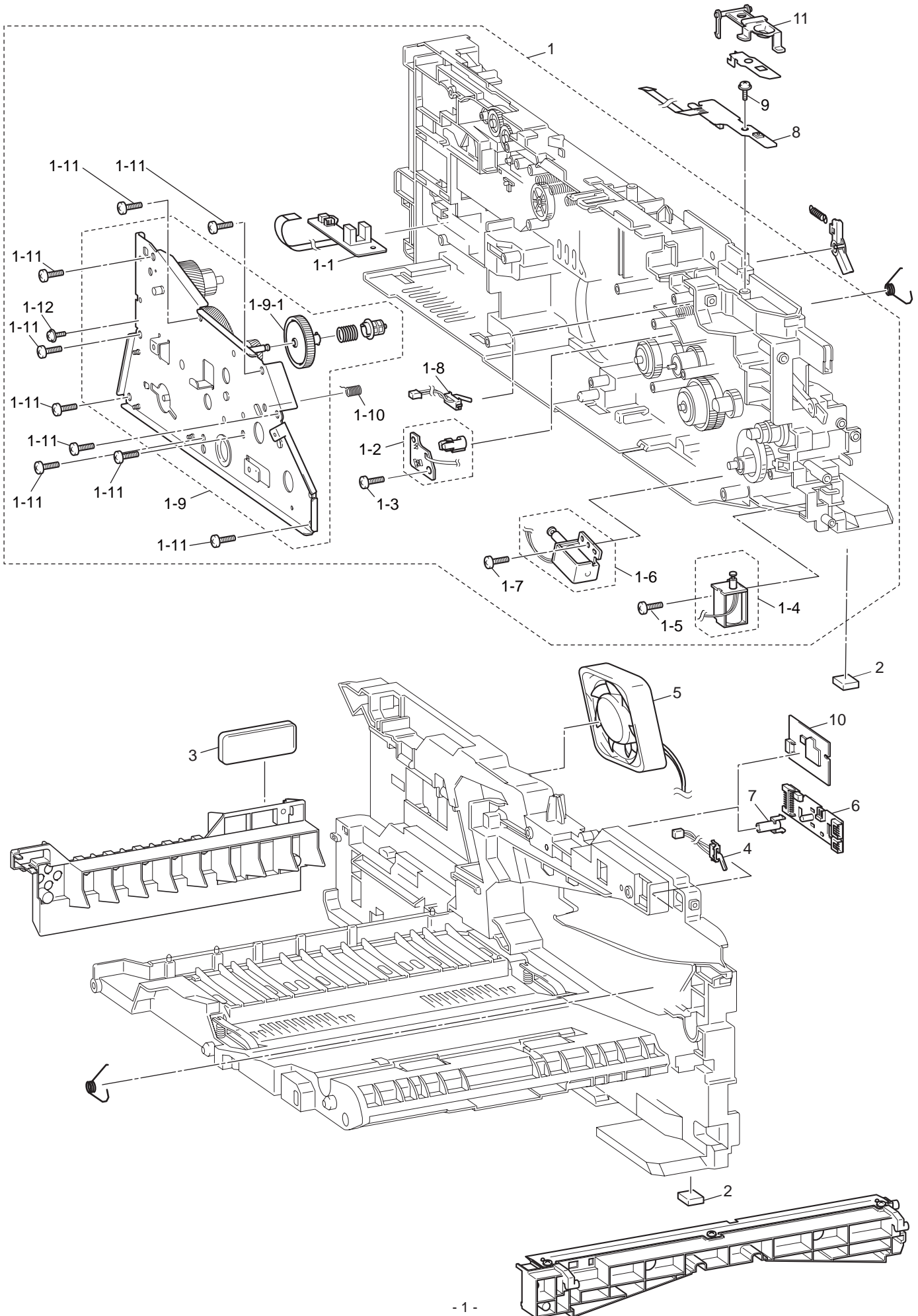
LANGUEGES

BUL: Bulgarian	ITA: Italian
CHN: Chinese	NOR: Norwegian
CZE: Czech	POL: Polish
DEN: Danish	POR: Portuguese
DUT: Dutch	ROM: Romanian
ENG: English	RUS: Russian
FIN: Finnish	SVK: Slovak
FRE: French	SPA: Spanish
GER: German	SWE: Swedish
HUN: Hungarian	

CONTENTS

1.	<u>FRAME UNIT</u>	1
2.	<u>PAPER FEEDER</u>	3
3.	<u>LASER UNIT</u>	5
4.	<u>PAPER TRAY</u>	7
5.	<u>FUSER UNIT</u>	9
6.	<u>COVERS&LABELS</u>	11
7.	<u>MAIN PCB</u>	13
8.	<u>LVPS</u>	15
9.	<u>HVPS</u>	17
10.	<u>AC CORD</u>	19
11.	<u>ACCESSORIES</u>	21
12.	<u>PACKING MATERIALS</u>	23
13.	<u>MAINTENANCE PARTS</u>	25

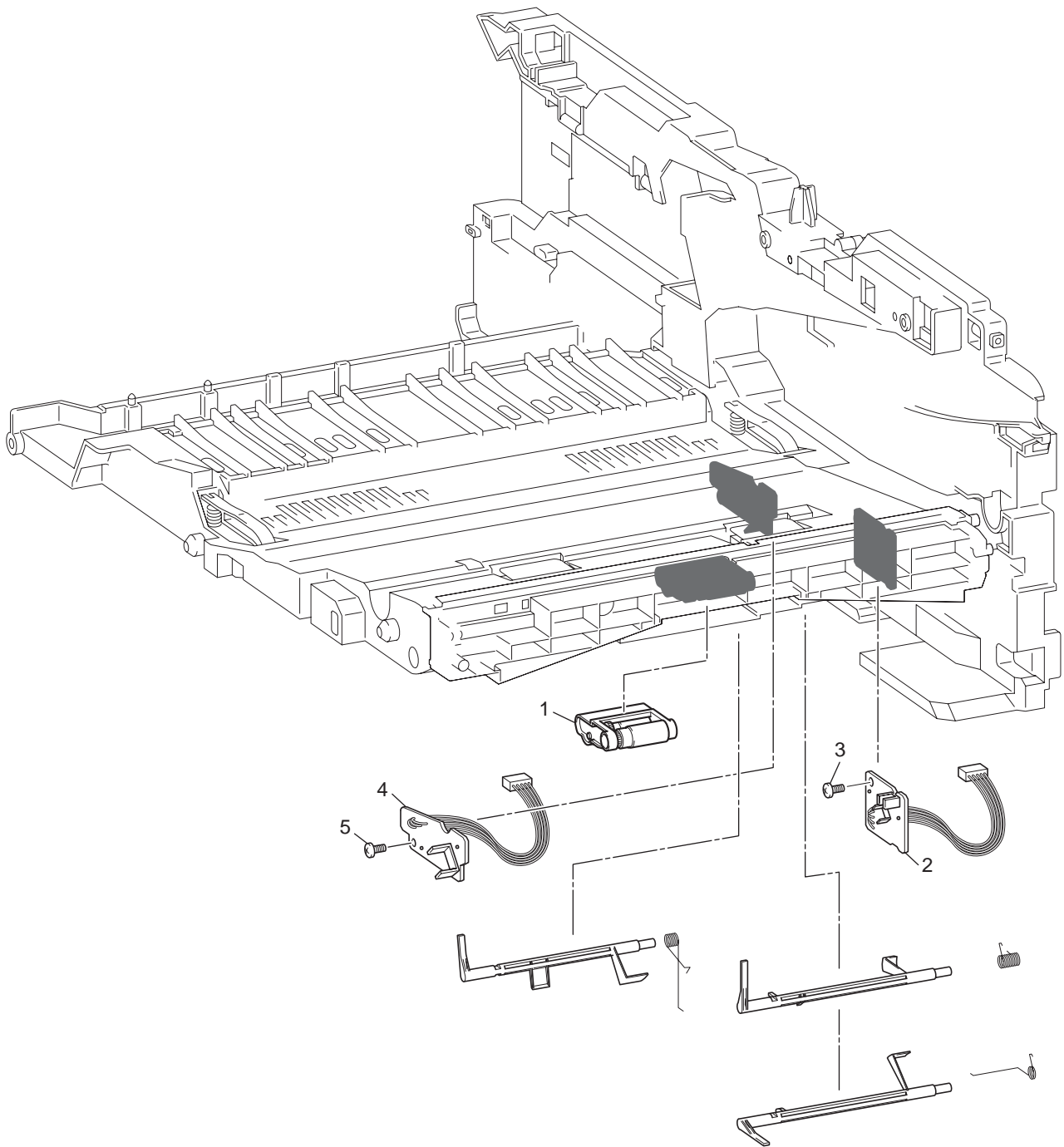
1. FRAME UNIT



1. FRAME UNIT

REF No.	CODE	Q'TY	DESCRIPTION	REMARKS
1	LU2001001	1	MAIN FRAME L ASSY (HL-2140)	
1	LU2345001	1	MAIN FRAME L ASSY (HL-2150N/2170W)	
1-1	LV0060001	1	EJECT SENSOR PCB ASSY ALL2	
1-2	LV0063001	1	TONER SENSOR PCB UNIT ASSY	
1-3	085311016	1	TAPTITE BIND B M3X10	
1-4	LU2030001	1	T1 SOLENOID ALL2	
1-5	085311016	1	TAPTITE BIND B M3X10	
1-6	LU2036001	1	REGISTRATION SOLENOID ALL2	
1-7	085311016	1	TAPTITE BIND B M3X10	
1-8	LM4262001	1	NEW TONER SENSOR HARNESS ASSY	
1-9	LU2704001	1	DRIVE SUB ASSY ALL2	
1-9-1	LU2067001	1	DEV GEAR JOINT/53R	
1-10	LU2060001	1	REGISTRATION PENDULUM GEAR SPRING	
1-11	085411216	9	TAPTITE BIND B M4X12	
1-12	LM5867001	1	TAPTITE CUP S M3X6 SR	
2	LJ7403001	2	RUBBER FOOT	
3	LM4570001	1	FILTER ASSY	
4	LU2125001	1	COVER SENSOR HARNESS ASSY	
5	LU2126001	1	FAN MOTOR 60 UNIT	
6	LV0066001	1	TONER LED PCB ASSY ALL2	
7	LM4267001	1	LED HOLDER	
8	LV0067001	1	PANEL PCB ASSY ALL2	
9	087310816	1	TAPTITE CUP B M3X8	
10	LT0378001	1	WIRELESS LAN PCB ASSY (HL-2170W)	
11	LU2132001	1	SW SUPPORTER	

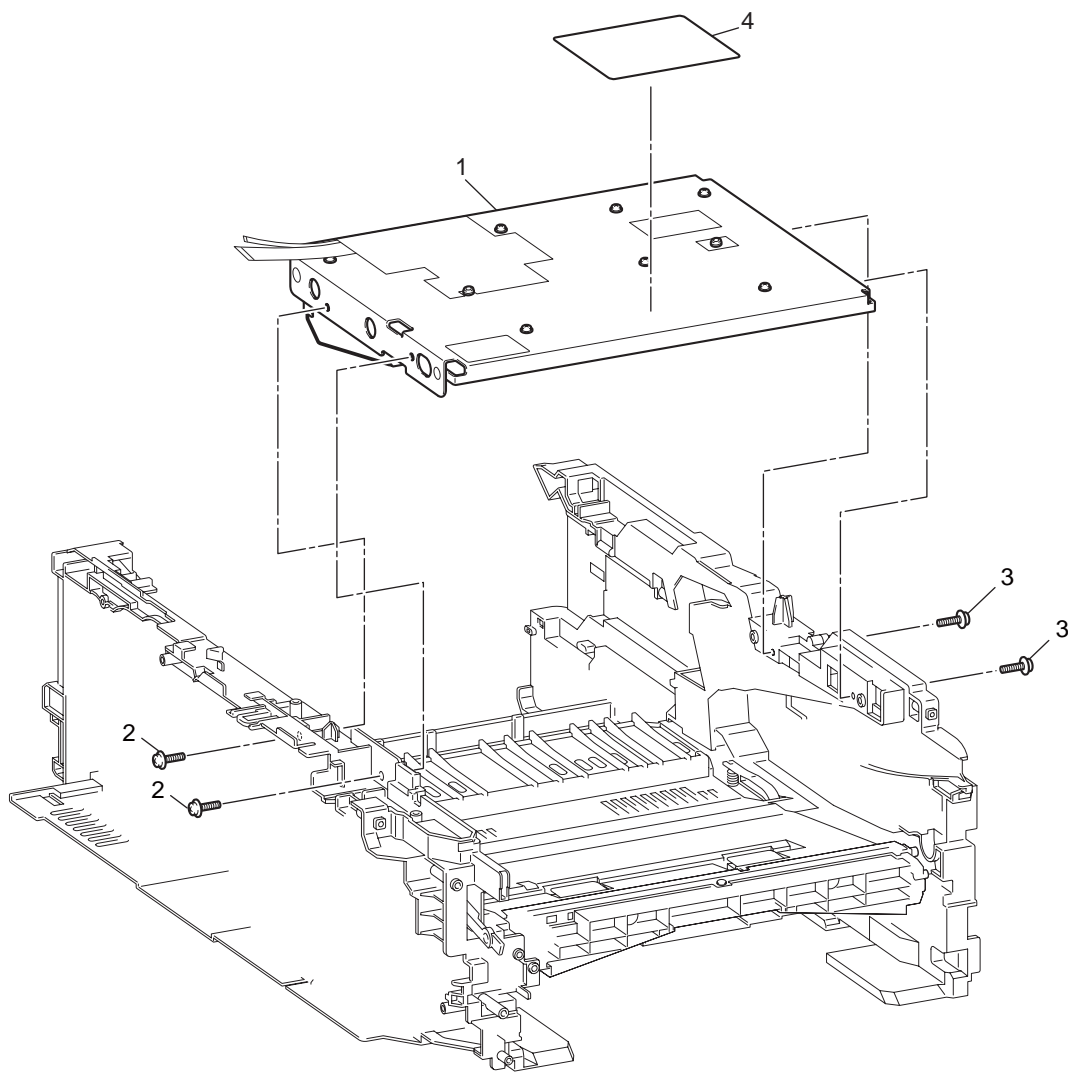
2. PAPER FEEDER



2. PAPER FEEDER

REF No.	CODE	Q'TY	DESCRIPTION	REMARKS
1	LU2088001	1	ROLLER HOLDER ASSY	
2	LV0061001	1	REGISTRATION FRONT SENSOR PCB ASSY ALL2	
3	085311016	1	TAPTITE BIND B M3X10	
4	LV0062001	1	REGISTRATION REAR SENSOR PCB ASSY ALL2	
5	085311016	1	TAPTITE BIND B M3X10	

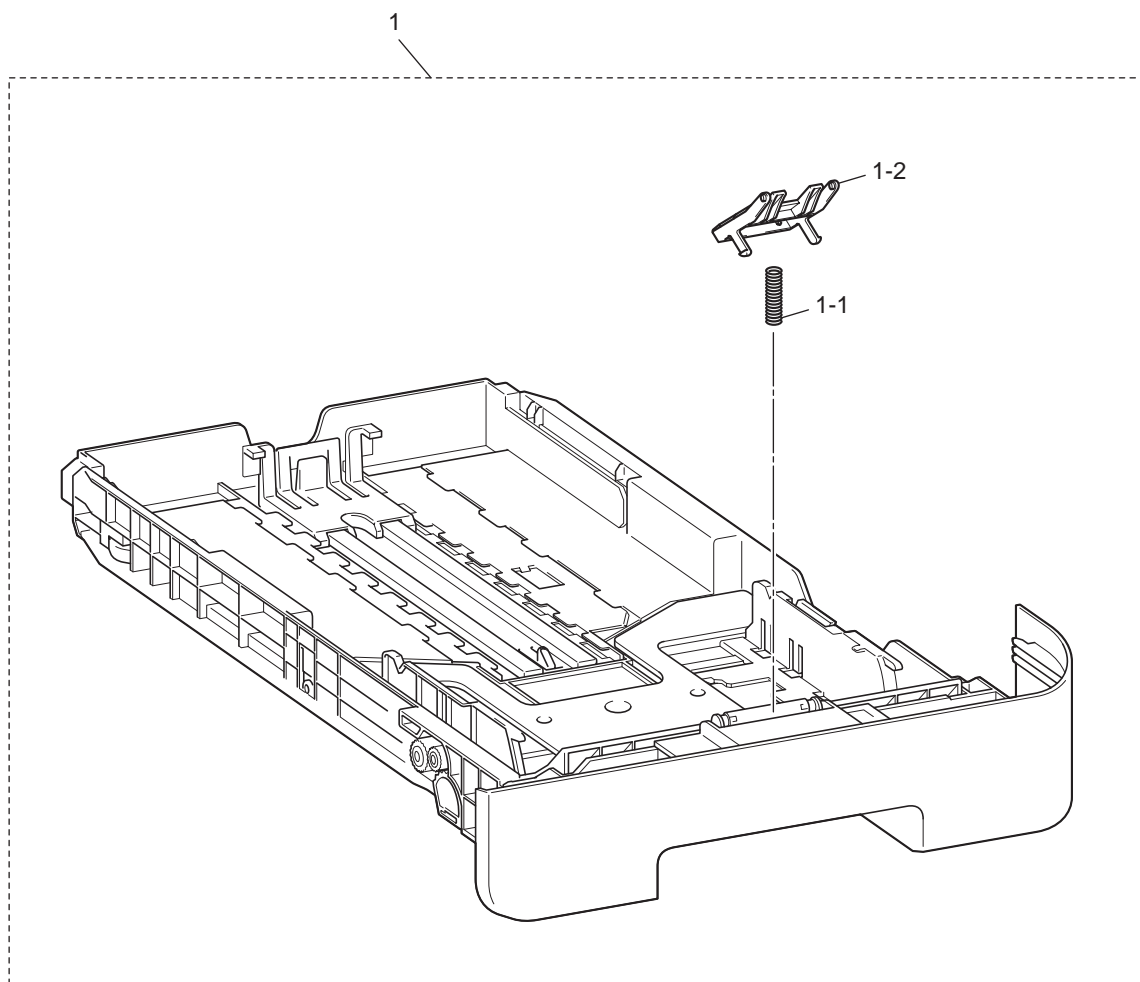
3. LASER UNIT



3. LASER UNIT

REF No.	CODE	Q'TY	DESCRIPTION	REMARKS
1	LU2375001	1	LASER UNIT ALL2 (SP)	
2	LM5867001	2	TAPTITE CUP S M3X6 SR	
3	LM5867001	2	TAPTITE CUP S M3X6 SR (HL-2140)	
3	LJ0748001	2	TAPTITE PAN(S/P WASHER)S M3X8 (HL-2150N/2170W)	
4	LJ0908001	1	LASER CAUTION LABEL	
4	UL7931001	1	LASER CAUTION LABEL CHN	

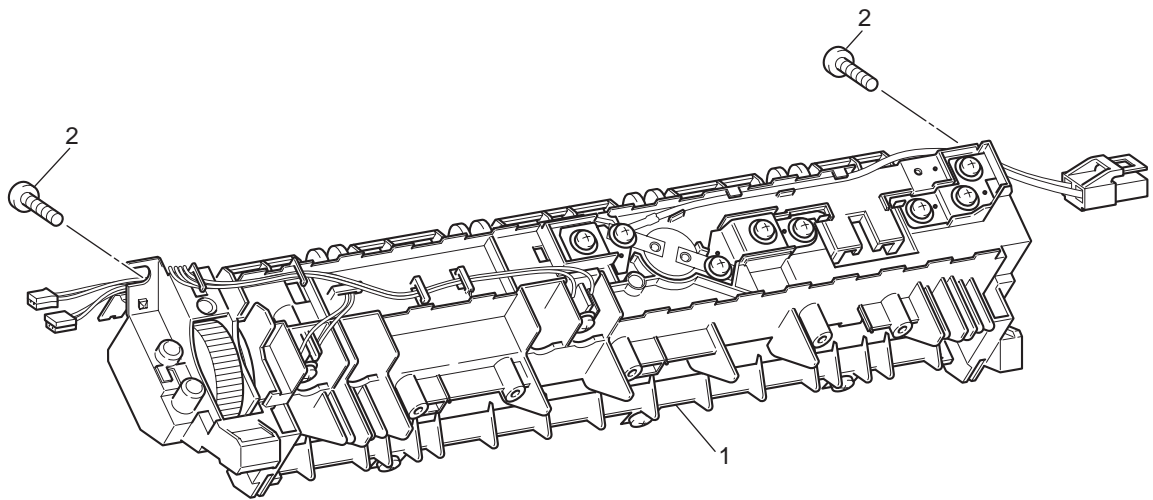
4. PAPER TRAY



4. PAPER TRAY

REF No.	CODE	Q'TY	DESCRIPTION	REMARKS
1	LU2463002	1	PAPER TRAY UNIT (HL-2140 US/CAN/ARL/NZ/SGP/GULF)	
1	LU2464002	1	PAPER TRAY UNIT A4 (HL-2140 GER/UK/SWI/ITA/ISR/CHN/SAF/PAN-NOR/ BEL/FRA/NL/IBERIA/EEU)	
1	LU2463001	1	PAPER TRAY UNIT (HL-2150N ARL/NZ/SGP/GULF, 2170W US/CAN/ARL/NZ/SGP/GULF)	
1	LU2464001	1	PAPER TRAY UNIT A4 (HL-2150N GER/UK/SWI/ITA/ISR/CHN/SAF/PAN-NOR/ BEL/FRA/NL/IBERIA/EEU, 2170W GER/UK/SWI/ITA/CHN/PAN-NOR/BEL/FRA/NL/ IBERIA)	
1-1	LU2153001	1	SEPARATION PAD SPRING	
1-2	LU2154001	1	SEPARATION PAD ASSY	

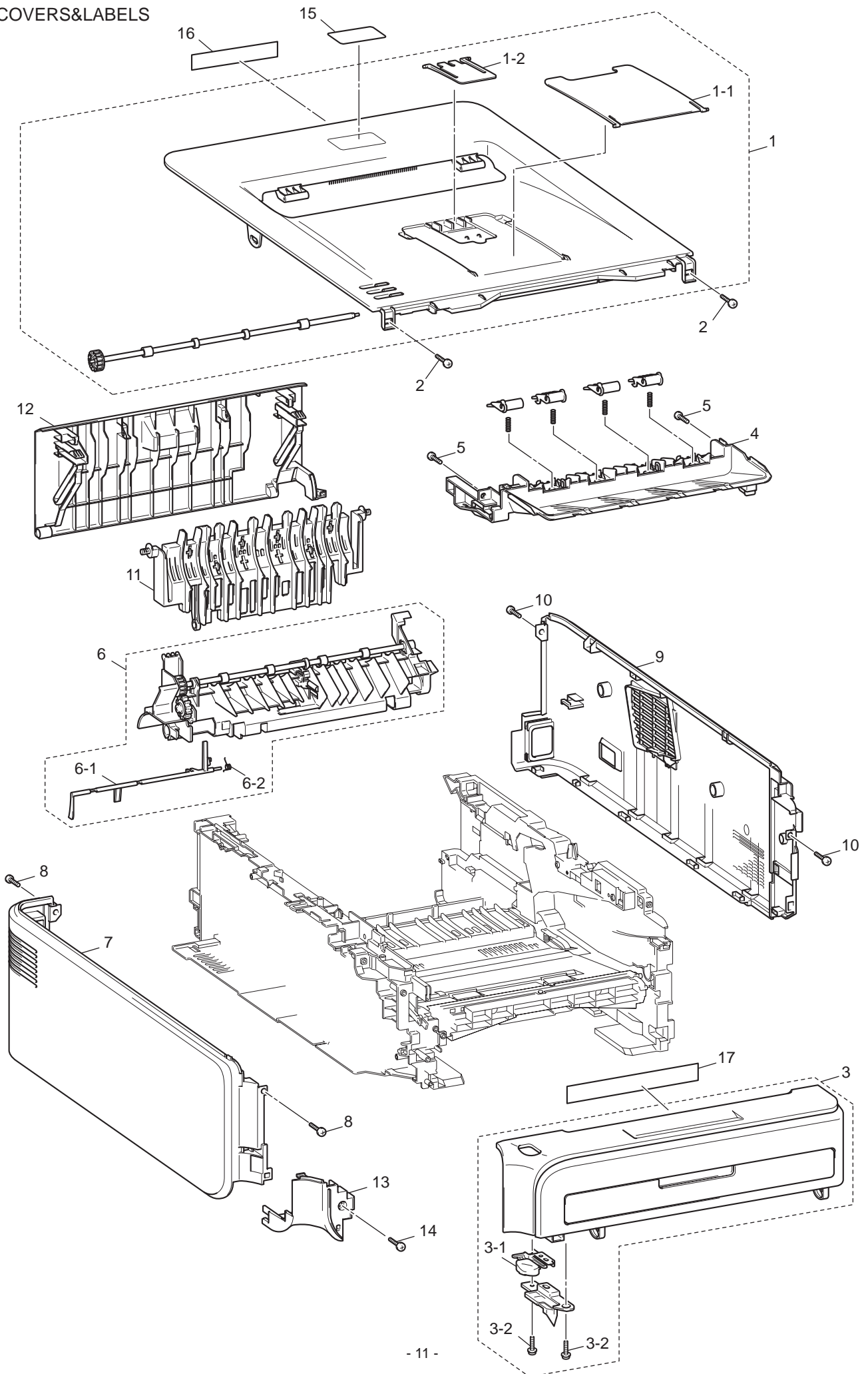
5. FUSER UNIT



5. FUSER UNIT

REF No.	CODE	Q'TY	DESCRIPTION	REMARKS
1	LU2373001	1	FUSER UNIT 115V (SP)	
1	LU2374001	1	FUSER UNIT 230V (SP)	
2	LJ0395001	2	TAPTITE PAN(WASHER)B 4X14	

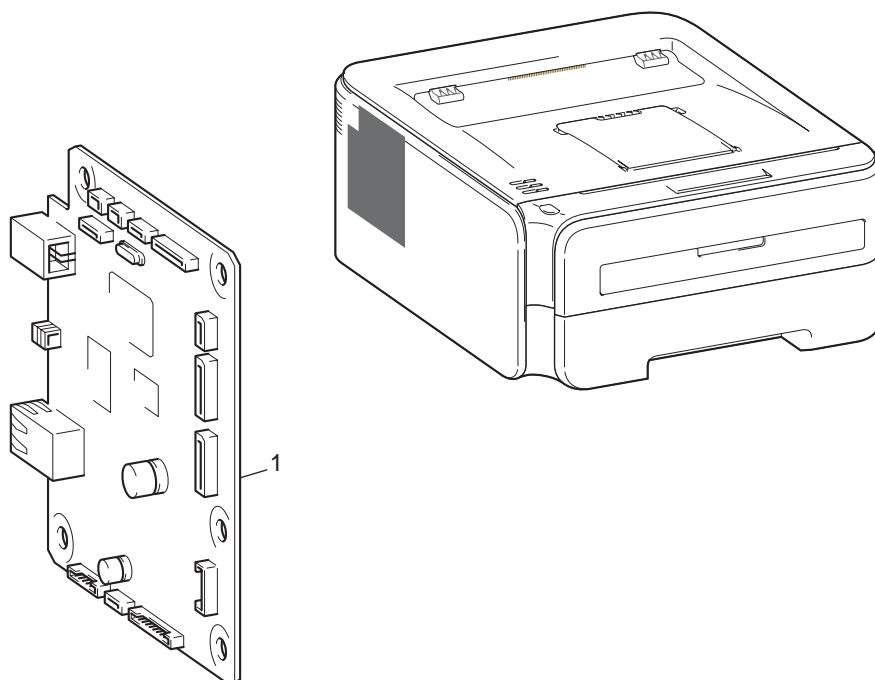
6. COVERS&LABELS



6. COVERS&LABELS

REF No.	CODE	Q'TY	DESCRIPTION	REMARKS
1	LU2259002	1	TOP COVER ASSY (HL-2140)	
1	LU2259001	1	TOP COVER ASSY (HL-2150N/2170W)	
1-1	LU2222002	1	SUPPORT FLAP 1 (HL-2140)	
1-1	LU2222001	1	SUPPORT FLAP 1 (HL-2150N/2170W)	
1-2	LU2365002	1	SUPPORT FLAP 2 (HL-2140)	
1-2	LU2365001	1	SUPPORT FLAP 2 (HL-2150N/2170W)	
2	085411216	2	TAPTITE BIND B M4X12	
3	LU2223002	1	FRONT COVER ASSY (HL-2140)	
3	LU2661002	1	FRONT COVER ASSY CHN (HL-2140 CHN)	
3	LU2223001	1	FRONT COVER ASSY (HL-2150N/2170W)	
3	LU2661001	1	FRONT COVER ASSY CHN (HL-2150N/2170W CHN)	
3-1	LU2225001	1	SW KEY	
3-2	087310816	2	TAPTITE CUP B M3X8	
4	LU2232002	1	INNER CHUTE ALL2 ASSY (HL-2140)	
4	LU2232001	1	INNER CHUTE ALL2 ASSY (HL-2150N/2170W)	
5	085411216	2	TAPTITE BIND B M4X12	
6	LU2241001	1	FUSER COVER ASSY	
6-1	LU2243001	1	EJECT ACTUATOR	
6-2	LM5282001	1	EJECT ACTUATOR SPRING	
7	LU2247002	1	SIDE COVER L ASSY (HL-2140)	
7	LU2247001	1	SIDE COVER L ASSY (HL-2150N/2170W)	
8	085411216	2	TAPTITE BIND B M4X12	
9	LU2249002	1	SIDE COVER R ASSY (HL-2140)	
9	LU2249001	1	SIDE COVER R ASSY (HL-2150N/2170W)	
10	085411216	2	TAPTITE BIND B M4X12	
11	LU0335001	1	OUTER CHUTE ALL2 ASSY	
12	LU2251002	1	BACK COVER ALL2 (HL-2140)	
12	LU2251001	1	BACK COVER ALL2 (HL-2150N/2170W)	
13	LU2252002	1	CORNER COVER (HL-2140)	
13	LU2252001	1	CORNER COVER (HL-2150N/2170W)	
14	085411216	1	TAPTITE BIND B M4X12	
15	LU2326001	1	MODEL PLATE 2140	
15	LU2400001	1	MODEL PLATE 2150	
15	LU2401001	1	MODEL PLATE 2170	
15	LU2778001	1	MODEL PLATE 2170 CHN	CHG
16	LU2257001	1	PROCESS UNIT OP LABEL ALL2 (US/CAN)	
16	LU2523001	1	PROCESS UNIT OP LABEL ALL2	
46	LU2660004	4	PROCESS UNIT OP LABEL ALL2 (CHN)	DEL
17	LU2330001	1	HEATER CAUTION LABEL REAR ALL2	

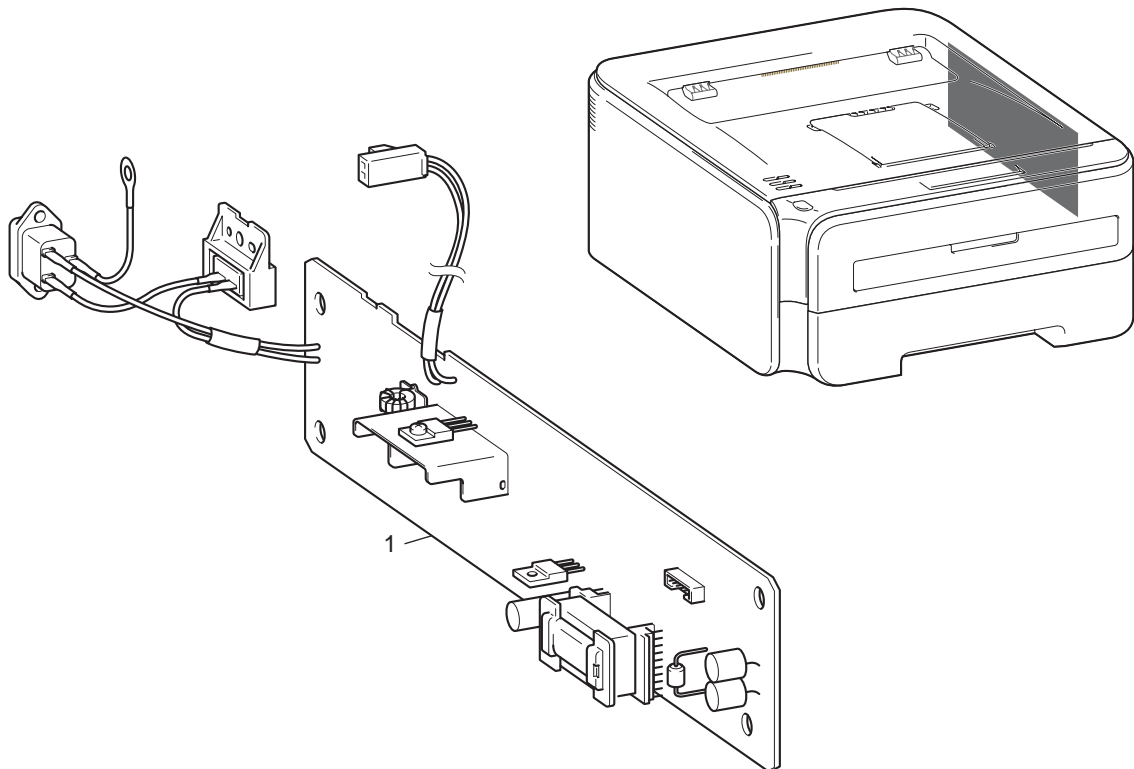
7. MAIN PCB



7. MAIN PCB

REF No.	CODE	Q'TY	DESCRIPTION	SYMBOL	REMARKS
1	LV0050001	1	MAIN PCB ASSY 2140	B512256	
1	LV0127001	1	MAIN PCB ASSY 2140 CHN	B512256	
1	LV0080001	1	MAIN PCB ASSY 2150N	B512257	
1	LV0128001	1	MAIN PCB ASSY 2150N CHN	B512257	
1	LV0051001	1	MAIN PCB ASSY 2170W US/CAN	B512257	
1	LV0094001	1	MAIN PCB ASSY 2170W	B512257	
1	LV0129001	1	MAIN PCB ASSY 2170W CHN	B512257	

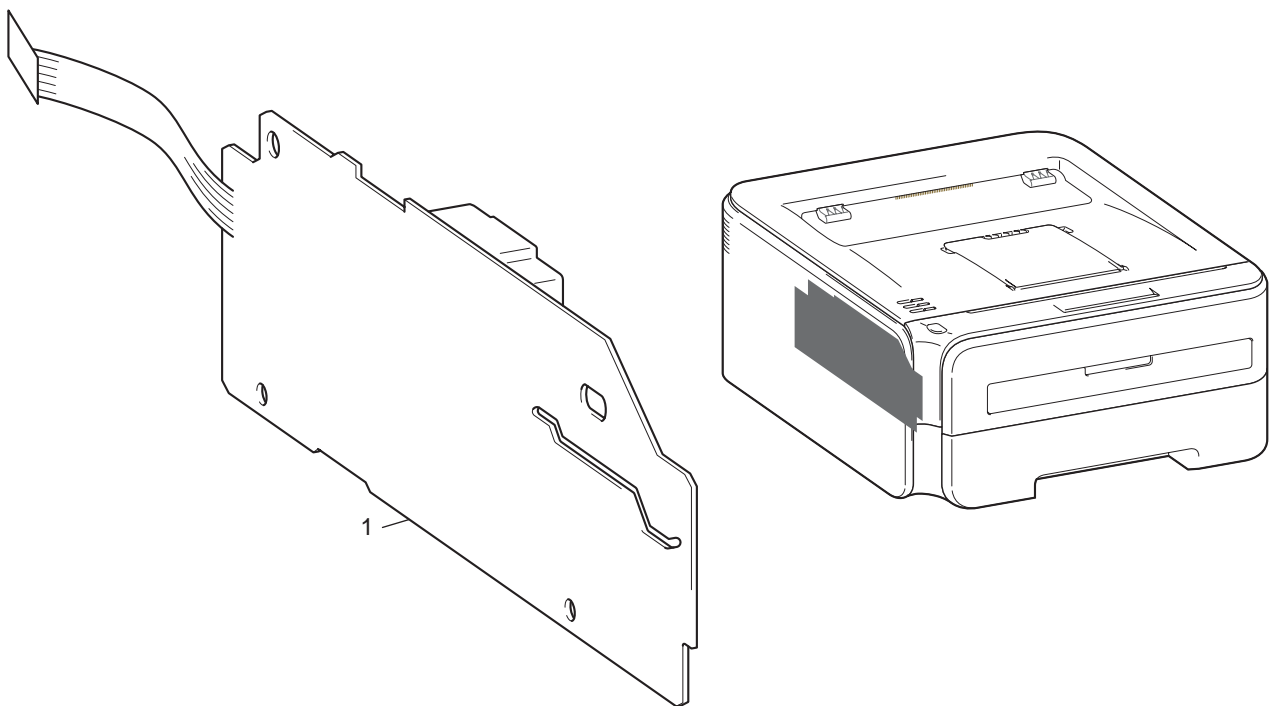
8. LVPS



8. LVPS

REF No.	CODE	Q'TY	DESCRIPTION	REMARKS
1	LV0056001	1	PS PCB UNIT ALL2 115V	
1	LV0074001	1	PS PCB UNIT ALL2 230V	
1	LV0107001	1	PS PCB UNIT ALL2 230V CHN	

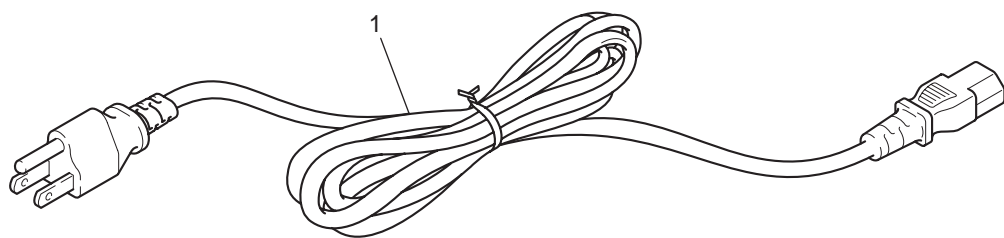
9. HVPS



9. HVPS

REF No.	CODE	Q'TY	DESCRIPTION	REMARKS
1	LV0047001	1	HIGH-VOLTAGE PS PCB ASSY ALL2	

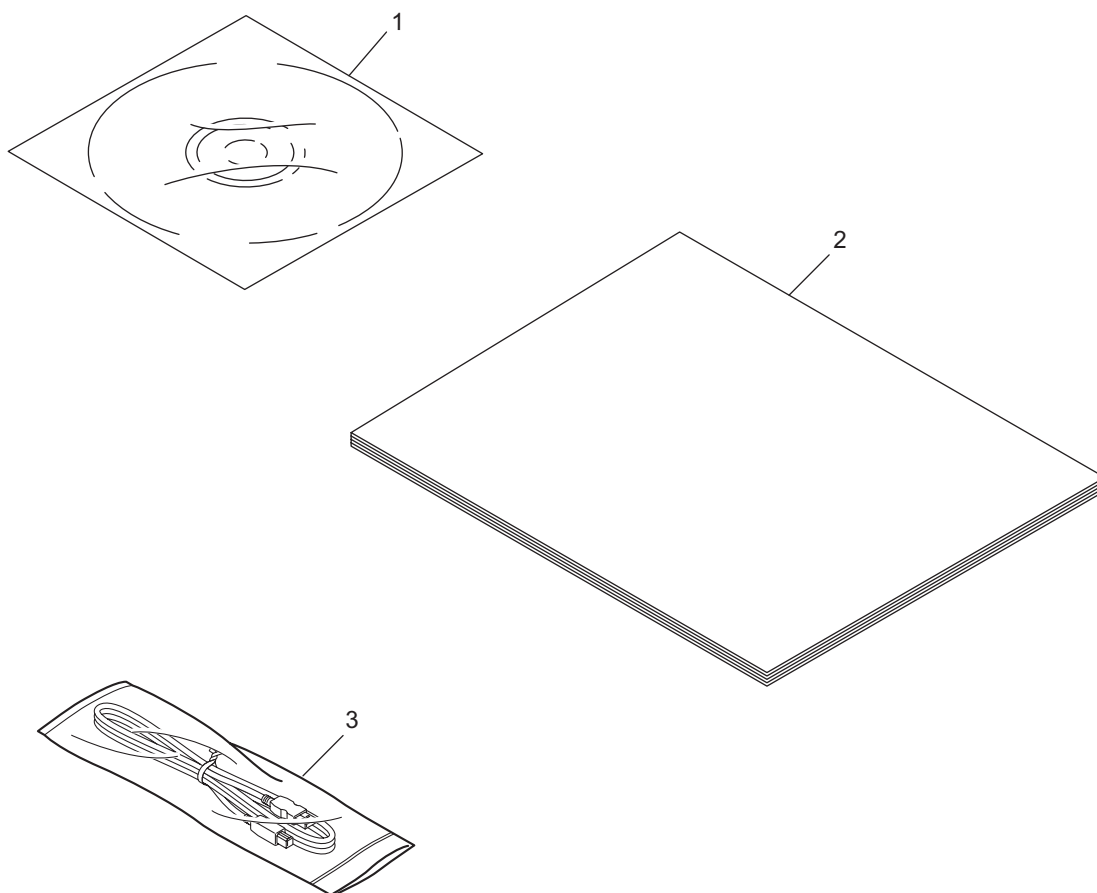
10. AC CORD



10. AC CORD

REF No.	CODE	Q'TY	DESCRIPTION	REMARKS
1	LJ9271001	1	AC CORD ASSY LF UL/CSA 10A	
1	LJ9103001	1	AC CORD ASSY LF VDE	
1	LJ9921001	1	AC CORD ASSY LF BS/PSB	
1	LJ9254001	1	AC CORD ASSY LF SEV	
1	LM9288001	1	AC CORD ASSY LF ISRAEL	
1	LJ9338001	1	AC CORD ASSY LF CHINA	
1	LJ9295001	1	AC CORD ASSY LF SOUTH AFRICA	
1	LJ9256001	1	AC CORD ASSY LF DEMKO	
1	LJ9666001	1	AC CORD LF SAA	

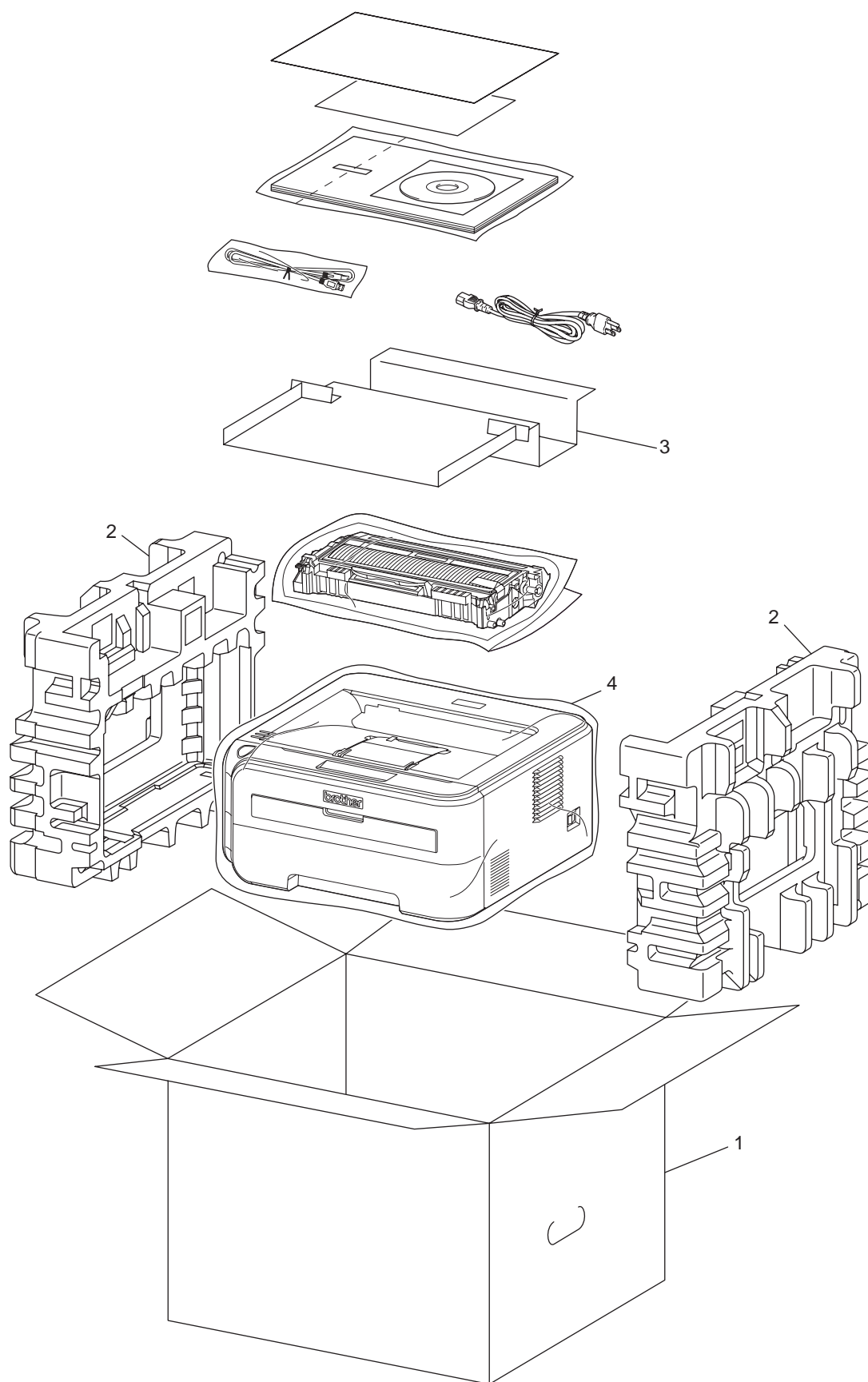
11. ACCESSORIES



11. ACCESSORIES

REF No.	CODE	Q'TY	DESCRIPTION	REMARKS
1	LU2442001	1	CD ASSY ALL2	
1	LU2644001	1	CD ASSY ALL2 CHN	
1	LU2547001	1	CD ASSY ALL2 EEU/RUS	
2	LU2470001	1	SETUP GUIDE 2140 ENG	
2	LU2472001	1	SETUP GUIDE 2140 FRE	
2	LU2471001	1	SETUP GUIDE 2140 GER	
2	LU2482001	1	SETUP GUIDE 2150 GER	
2	LU2481001	1	SETUP GUIDE 2150 ENG	
2	LU2492001	1	SETUP GUIDE 2170 ENG	
2	LU2483001	1	SETUP GUIDE 2150 FRE	
2	LU2494001	1	SETUP GUIDE 2170 FRE	
2	LU2493001	1	SETUP GUIDE 2170 GER	
2	LU2474001	1	SETUP GUIDE 2140 ITA	
2	LU2485001	1	SETUP GUIDE 2150 ITA	
2	LU2496001	1	SETUP GUIDE 2170 ITA	
2	LU2477001	1	SETUP GUIDE 2140 NOR	
2	LU2488001	1	SETUP GUIDE 2150 NOR	
2	LU2499001	1	SETUP GUIDE 2170 NOR	
2	LU2478001	1	SETUP GUIDE 2140 SWE	
2	LU2489001	1	SETUP GUIDE 2150 SWE	
2	LU2500001	1	SETUP GUIDE 2170 SWE	
2	LU2479001	1	SETUP GUIDE 2140 DEN	
2	LU2490001	1	SETUP GUIDE 2150 DEN	
2	LU2501001	1	SETUP GUIDE 2170 DEN	
2	LU2480001	1	SETUP GUIDE 2140 FIN	
2	LU2491001	1	SETUP GUIDE 2150 FIN	
2	LU2502001	1	SETUP GUIDE 2170 FIN	
2	LU2473001	1	SETUP GUIDE 2140 DUT	
2	LU2484001	1	SETUP GUIDE 2150 DUT	
2	LU2495001	1	SETUP GUIDE 2170 DUT	
2	LU2475001	1	SETUP GUIDE 2140 SPA	
2	LU2486001	1	SETUP GUIDE 2150 SPA	
2	LU2497001	1	SETUP GUIDE 2170 SPA	
2	LU2476001	1	SETUP GUIDE 2140 POR	
2	LU2487001	1	SETUP GUIDE 2150 POR	
2	LU2498001	1	SETUP GUIDE 2170 POR	
2	LU2535001	1	SET GUIDE 2140/2150 CZE/HUN/POL	
2	LU2536001	1	SET GUIDE 2140/2150 ENG/BUL/ROM/SVK	
2	LU2635001	1	SET GUIDE 2140/2150 CHN	
2	LU2636001	1	SET GUIDE 2170W CHN	
3	LJ9803001	1	USB CABLE 2.0 (CHN)	ADD

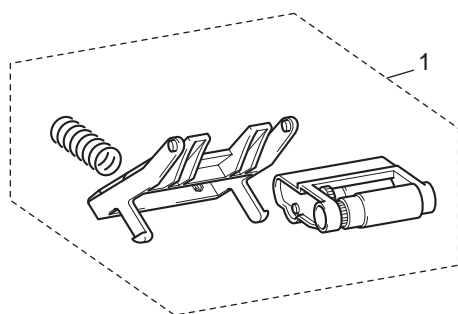
12. PACKING MATERIALS



12. PACKING MATERIALS

REF No.	CODE	Q'TY	DESCRIPTION	REMARKS
1	LU2357001	1	CARTON 2140 US	
1	LU2517001	1	CARTON 2140 CAN	
1	LU2526001	1	CARTON 2140 EUR	
1	LU2543001	1	CARTON 2140 AP (ARL/NZ/SGP/GULF)	
1	LU2647001	1	CARTON 2140 CHN	
1	LU2607001	1	CARTON 2150 EUR	
1	LU2610001	1	CARTON 2150 AP (ARL/NZ/SGP/GULF)	
1	LU2649001	1	CARTON 2150 CHN	
1	LU2588001	1	CARTON 2170W US	
1	LU2585001	1	CARTON 2170W CAN	
1	LU2599001	1	CARTON 2170W EUR	
1	LU2604001	1	CARTON 2170W AP (ARL/NZ/SGP/GULF)	
1	LU2651001	1	CARTON 2170W CHN	
2	LU2321001	1	POLYSTYRENE PAD ASSY ALL2	
3	LU2324001	1	OPTION CARTON ALL2	
4	LJ5590001	1	BAG 550X650H	

13. MAINTENANCE PARTS



13. MAINTENANCE PARTS

REF No.	CODE	Q'TY	DESCRIPTION	REMARKS
1	LU2545001	1	PAPER FEEDING KIT	